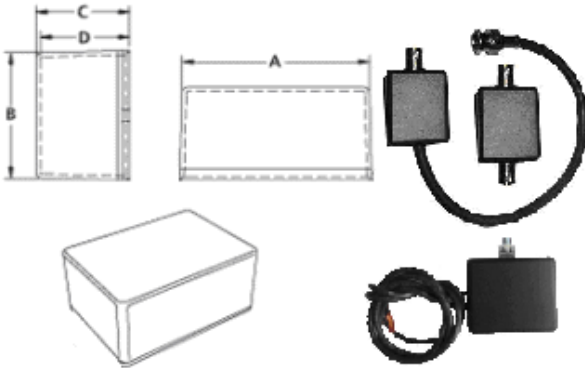


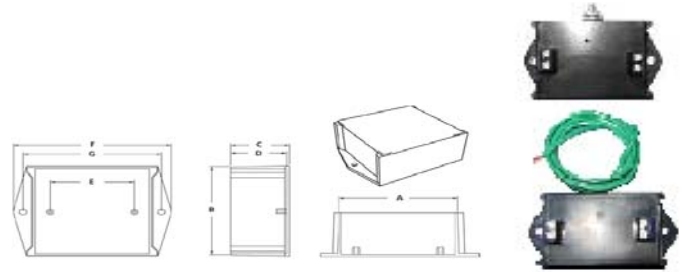
PRO-TECH

Surge Suppression Products for CCTV Systems

BNC; BNC C/V; 24VAC and 12VDC: Length (A) 1.500 - Width (B) 1.250 - Height (C) 0.800 - Inside depth without cover (D) 0.730



DUAL2W-5, ILCP60 OR ILCP60NC: Dimensions: Length (A) 2.000 - Width (B) 1.500 - Height (C) 1.000 - Inside depth (D) 0.940 - Mounting flange length (F) 3.000 Mounting flange holes (G) 2.500



Specifications – Operating: BNC V and BNC C/V

Maximum Operation Voltage: 5 Volts DC

Maximum Leakage Current: <5u amps

Maximum Insertion Loss: <1 dB

Weatherproof: Yes

Connectors: BNC – (BNC V: Female/Female)
(BNC C/V: Female/Male with 4”-6” Coax Extension)

Installation Configuration:

Specifications – Electronic:

Maximum Surge Current (8 x 20us): 500 Amps

Maximum Surge Voltage (1.2 x 50us): 6,000 Volts

Capacitance: < 1.20pf

Clamping Voltage: 6.8 Volts

Clamping Response Time: <5 Nanoseconds

Current: Non-Load Bearing Voltage Sensitive

Pass Voltage-ANSI/IEEE B3 Ring-wave: <10 Volts Peak

Power Dissipation (8 x 20us): 3,000,000 VA

Specifications – Operating: 24VAC and 12VDC

Maximum Operation Voltage: 30 Volts AC / 15 Volts DC

Maximum Leakage Current: <5u amps

Weatherproof: Yes

Connectors: 14 AWG Hardwire

Pass Voltage-ANSI/IEEE B3 Ring-wave:
<35 Volts Peak / <19 Volts Peak

Power Dissipation (8 x 20us): 18,000,000 VA

Specifications Operating: Dual2W-5 & 24VAC-3S (1Amp)

Maximum Operating Voltage:
5 Volts DC (6.8) or 30 Volts AC (60DC)
(60NC=3Amp)

Typical Leakage Current: < 5u amps

Maximum Data Rate: 22 Mhz

Operation Temperature: - 40 to + 85° C

Connectors and Lines Protected:
Terminal Block - One Pair

Installation Configuration: In-Line Series

Specifications - Electronic:

Maximum Surge Current (8 x 20us): 10,000 Amps Per Line

Maximum Surge Voltage (1.2 x 50us): 6,000 Volts

Capacitance: <250 pf

Clamping Voltage: Volts DC as designated

Clamping Response Time: <5 Nanoseconds

Voltage: Voltage Sensitive

Pass Voltage Test to ANSI/IEEE B3 Impulse:
10% Above Normal

Power Dissipation(8 x 20us): 60,000,000 VA Protection Per
Line

19” Camera Rack Mount - Multi-Stage Head End Coaxial
Protector (32 BNC Female 16 In/16 Out)
- OR -
19” Camera Rack Mount - Multi-Stage Head End Protector
(32 Terminal Block - 16 In/16 Out) 6.8V



(Specifications available upon request)

Manufacturer reserves the right to make product material and specification changes without prior notice.
Lifetime Product Replacement for damaged/defective units to original purchaser.

Bergeron Products Innovations, 8132 Firestone Blvd., Suite #824, Downey, CA 90241
Telephone: 323-312-9449 Fax: 714-203-1644